

# YAMAHA NS-E60

Natural Sound Bass-Reflex  
Type Effect Speaker System

Thank you for selecting this Yamaha NS-E60 speaker system.

This model is designed mainly to be used as an effect speaker system.

## PRECAUTIONS

Read these precautions carefully before operating your speaker.

- When using an amplifier with a rated output power higher than the music input of the speaker, care should be taken never to exceed the speaker's music input.
- Do not attempt to clean the speaker with chemical solvents as this might damage the finish. To clean, wipe with a dry, soft cloth.
- To prevent the enclosure from warping or discoloring, do not place the speaker where it will be exposed to direct sunlight or excessive humidity.
- Do not place the speaker where it is liable to be knocked over or struck by falling objects. Stable placement will also ensure better sound performance.
- Placing the speaker on the same shelf or rack as the turntable can result in feedback.
- Anytime you note distortion, reduce the volume control on your amplifier to a lower setting. Never allow your amplifier to be driven into "clipping".
- Though this speaker is a magnetic shielding type, there may be an influence on TV picture according to the type of TV or the placement of the speaker. In such a case, place the speaker apart from the TV so that there is no influence on TV picture.
- **Secure placing is the owner's responsibility. YAMAHA shall not be liable to any accident caused by an improper placing of the speaker.**

## CONNECTION TO YOUR AMPLIFIER

BEFORE MAKING CONNECTIONS, MAKE SURE THAT THE AMPLIFIER IS SWITCHED OFF.

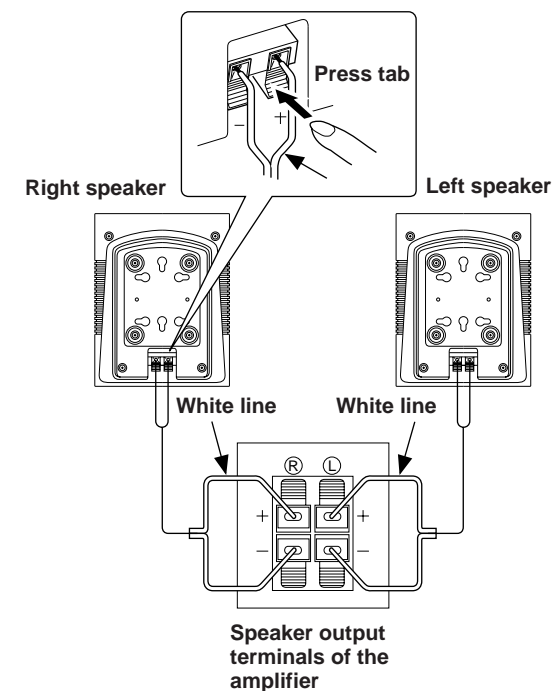
### ■ CONNECTIONS

- Connect the push-type input terminals at the rear of the speakers to the speaker output terminals of your amplifier with the provided speaker cables.
- One side of the speaker cable is marked by a white line. Connect the (+) terminals on both the amplifier and the speakers using this white-marked side. Connect the (-) terminals on both components using the unmarked side of the cable.
- Connect the left speaker to the left (marked L) terminals of your amplifier, and the right (marked R) terminals, making sure not to reverse the polarity (+, -). If one speaker is connected with reversed polarity, the sound will be unnatural and lack bass.

### Procedures:

- ① Press the tab on the terminal down, as shown in the figure.
- ② Insert the bare wire end properly into the terminal hole. [Remove approx. 5 mm (1/4") insulation from the speaker cable.]

- ③ Remove your finger from the tab to allow it to lock snugly on the cable's wire end.
- ④ Test the security of the connection by tugging lightly on the cable at the terminal.



### Note

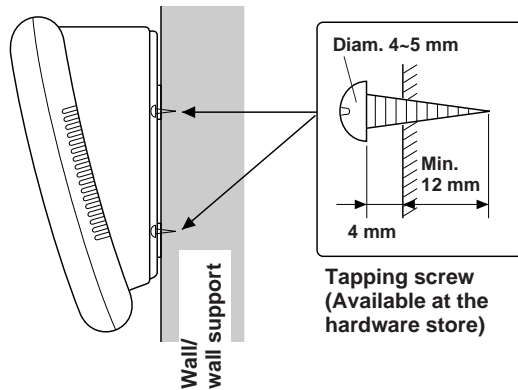
Do not let the bare wires touch each other as this could damage the speaker and/or the amplifier.

## SETTING UP THE SPEAKERS

Set up the speakers on a shelf or rack, or hang them on the wall.

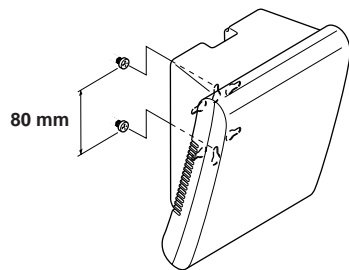
### ■ Attaching the speakers to a wall

The speakers may be attached to a wall by using the hooks provided on the speakers' back panels. Fasten wood screws into a firm wall or wall support as shown in the diagram, and hang the speaker hooks on the protruding screws.

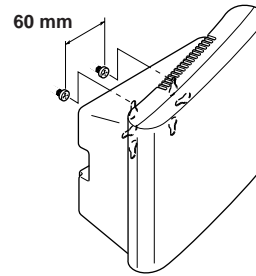


The speaker hooks are arranged so that the speakers can be mounted in any of the three configurations shown by the following figures.

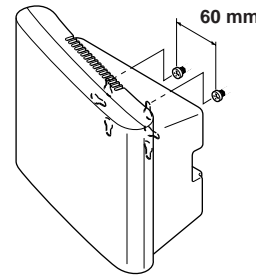
### Upright configuration



### Side long configuration (facing right)



### Side long configuration (facing left)

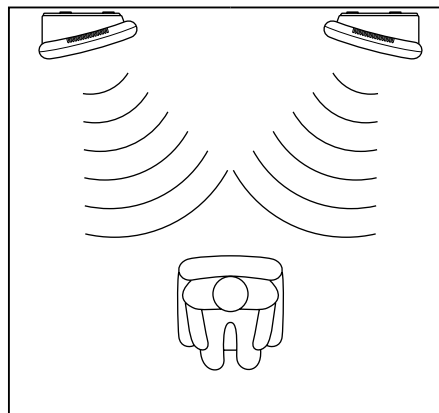


### To hang in upright configuration

Hang the speakers upside down so that they face downward as figured left.

### To hang in side long configuration

Hang the speakers so that each of them faces inside as figured below.



### WARNING:

- \* Each speaker weigh 1.4 kg (3 lbs. 1 oz.). Do not attach them to thin plywoods or soft wall surface materials, as the screws may tear free from flimsy surfaces, causing the speakers to fall and be damaged, or result in personal injury.
- \* Do not fasten the speakers to walls with nails, adhesives, or other unsound hardware. Long-term use and vibrations may cause them to pull free.
- \* To avoid accidents resulting from tripping over loose speaker cables, fix these to the wall along with the speakers.

## SPECIFICATIONS

Type.....	Full-Range Bass-Reflex type
Speaker Unit.....	10 cm paper cone woofer (JA1074)
Input Terminal .....	Push-type
Nominal Impedance.....	6 ohms
Frequency Response .....	70 Hz – 20 kHz (–10 dB)
Nominal Input Power.....	25W
Music Input Power.....	50W
Sensitivity .....	90 dB/w/m
Dimensions (WxHxD)	
.....	180 mm x 233 mm x 112 mm
	(7-1/16" x 9-5/16" x 3-7/16")
Weight.....	1.4 kg (3 lbs. 1 oz.)
Accessories.....	2 speaker cables (10m each)

\* Specifications subject to change without notice due to product improvements.

**YAMAHA**  
YAMAHA CORPORATION